

SA 05-X ELECTRIC ACTUATOR

FEATURES

SA05-X electric actuators are intended for motorising 1/4" turn valves in explosive zones. The torque is of 50 Nm. The protection mode is a "d" explosion-proof. With a compact, robust construction and IP67 epoxy-coated aluminium housing, the SA05-X actuator is especially well suited for motorising ball valves and butterfly valves installed in difficult atmospheres. The SA05-X has a manual key control and a 3D visual position indicator. Compliant with the EN 15714-2 standard.

AVAILABLE MODELS

Supply voltages: 230V AC (50-60Hz), 24V AC/DC.

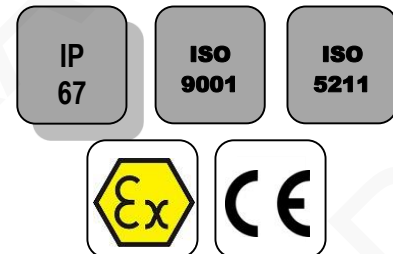
LIMITS OF USE

IP Code	IP 67
Ambient temperature	- 20°C / +55°C
Service factor	S2: 15mn - S4: 50%



ATEX APPROVAL

Protection mode	"d" according to the EN 60079-1 standard
Category of material	2
Operation zones	1G and 2G
Marking	II 2 G Ex d IIB T4 (ON KEMA no. 0344)



MECHANICAL FEATURES

Gear box	treated steel pinions
Torque	50 Nm
Angle of rotation	90° +/- 5°
Declutching	Without
Override control	By key

Actuator	SA 05-X (50Hz)		SA 05-X (60Hz)
	Voltage	230V AC	24V AC/DC
Torque (Nm)	50		50
Manoeuvring time (s)	17	10	14
ISO 5211	F03/F05/F17 star 14		

SA 05-X ELECTRIC ACTUATOR

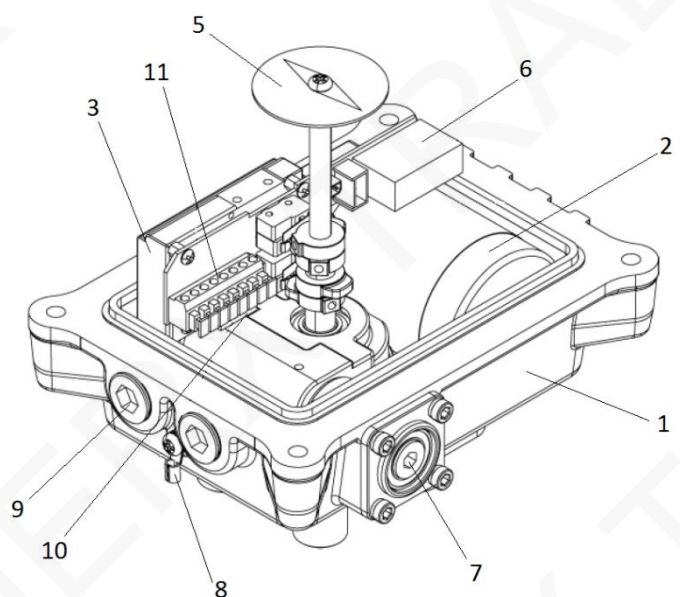
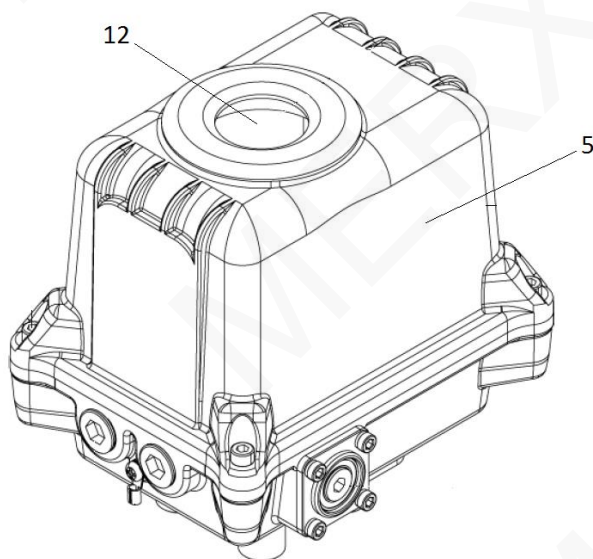
ELECTRICAL FEATURES

Motor protection	Thermal switch	Anti-condensation	5W heater
Limit switches	2 adjustable switches	Electrical connection	2 x C.G. M20x1.5 ATEX (NOT SUPPLIED on option)
Auxiliary switches	2 adjustable dry switches		

Actuator	SA 05	
Voltage	230V AC	24V AC/DC
Power (W)	6 W	15 W
Current (A)	0.23	1.8

CONSTRUCTION

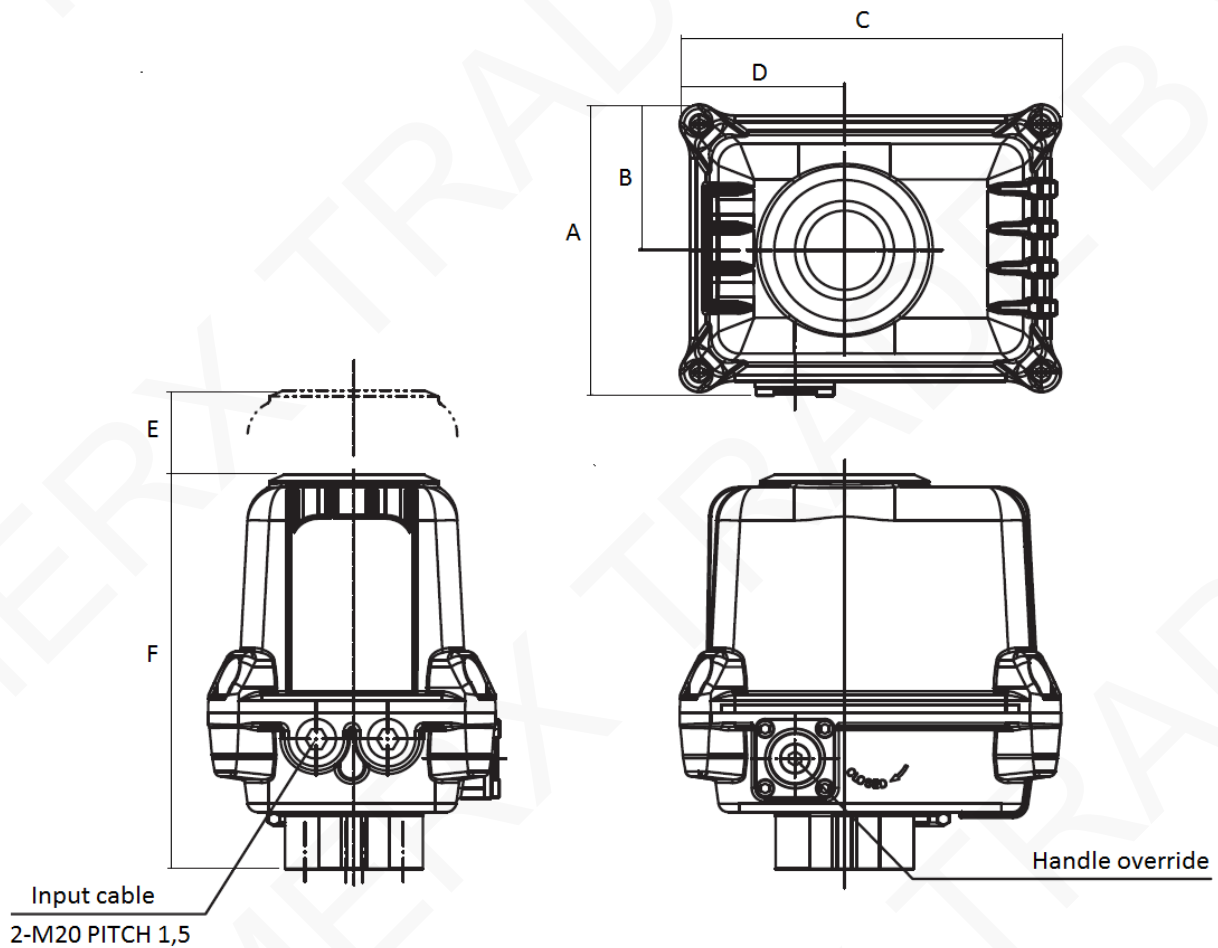
1	Housing	Polyester-coated aluminium
2	Electrical motor	
3	Gear box	Treated steel pinions
4	Cover	Polyester-coated aluminium
5	Position indicator	Polycarbonate plastic
6	Condenser	
7	Handle override	
8	Earthing	
9	Cable inlet	
10	Anti-condensation heater	
11	Terminal box	
12	Indicator light	Toughened glass



SA 05-X ELECTRIC ACTUATOR

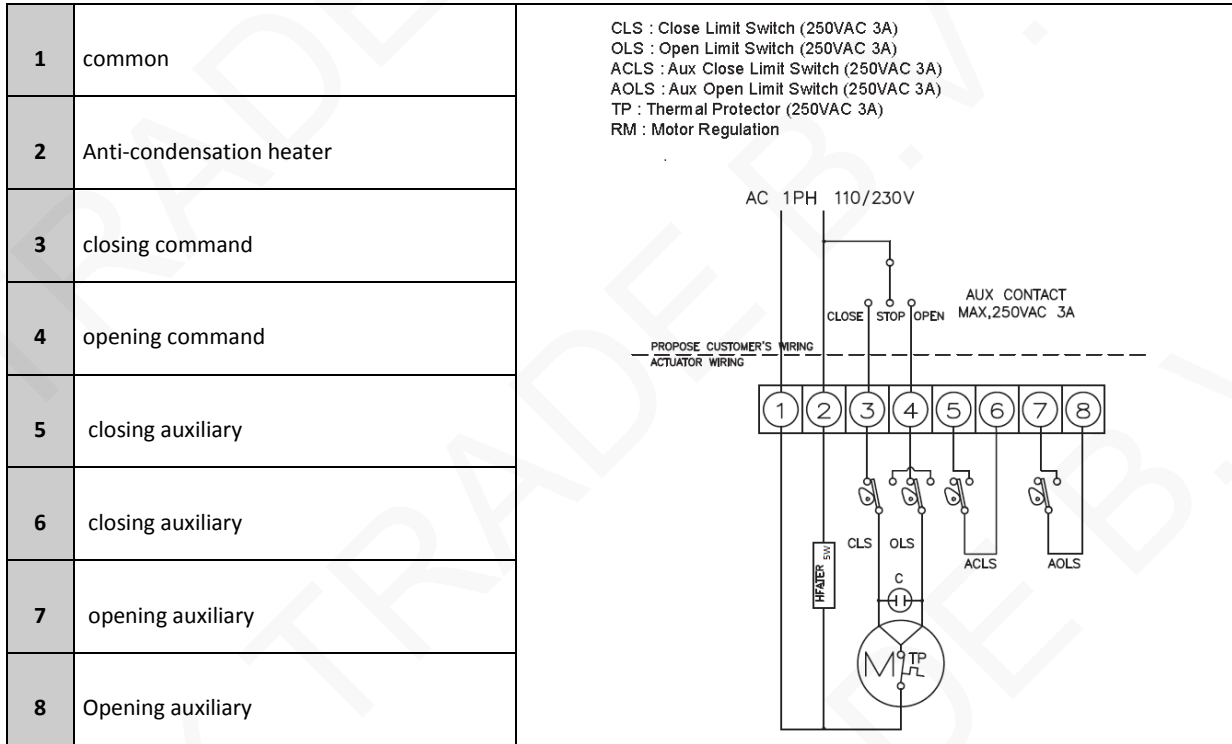
DIMENSIONS (mm) AND WEIGHT (kg)

Dimensions (mm)	A	B	C	D	E	F	Weight (kg)
SA05-X	147	73	193	83	100	199	5



SA 05-X ELECTRIC ACTUATOR

WIRING DIAGRAM 230V AC 50Hz/60Hz



WIRING DIAGRAM 24V AC/DC

